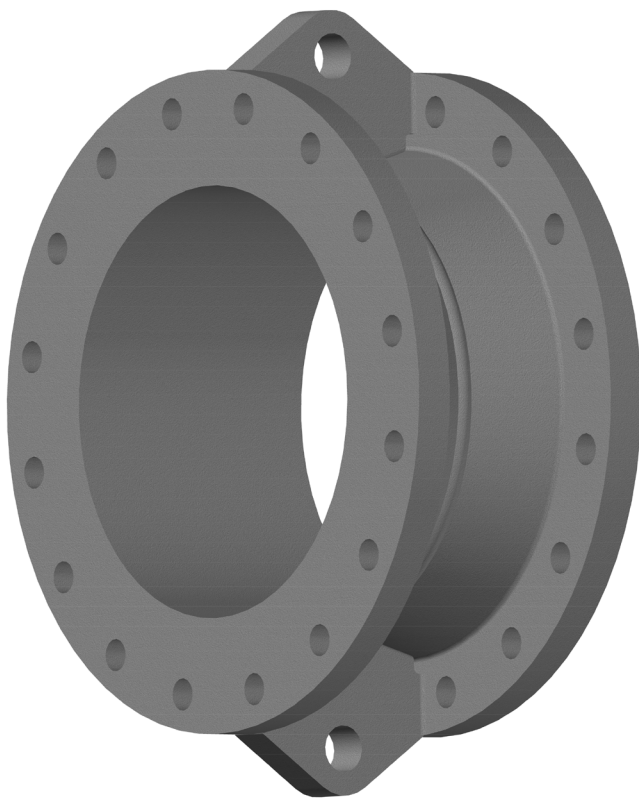




SHORT SPOOL PIECES

Marine type, heavy duty short spool pieces designed to ASME B16.5 with finished flat face packing area, complete with 2 lifting lugs. Suitable for direct use with the studed camlock coupling or butterfly valve. Coated with a minimum 200 micron off-shore coating system suitable for semi-submerged or submerged seawater application.



FEATURES

- Concentric design
- Fabricated from welding neck flanges to ASME B16.5 class 150 or 300
- Welding by qualified welders to ASME IX
- Flange facings obtainable in flat face or raised face as per customer requirements
- Standard equipped with 2 lifting lugs
- Other lifting lug patterns upon request
- Lifting lugs load tested towards customer requirements
- Third party inspection by recognized notified body (NOBO) as per customer specification
- Finish coated with a 200 micron coating system suitable for semi-submerged or submerged seawater application

DESIGN STANDARDS

Flanges : ASME B16.5
 Welding : ASME IX / ASME VIII
 Hydrostatic testing : ASME B31.4

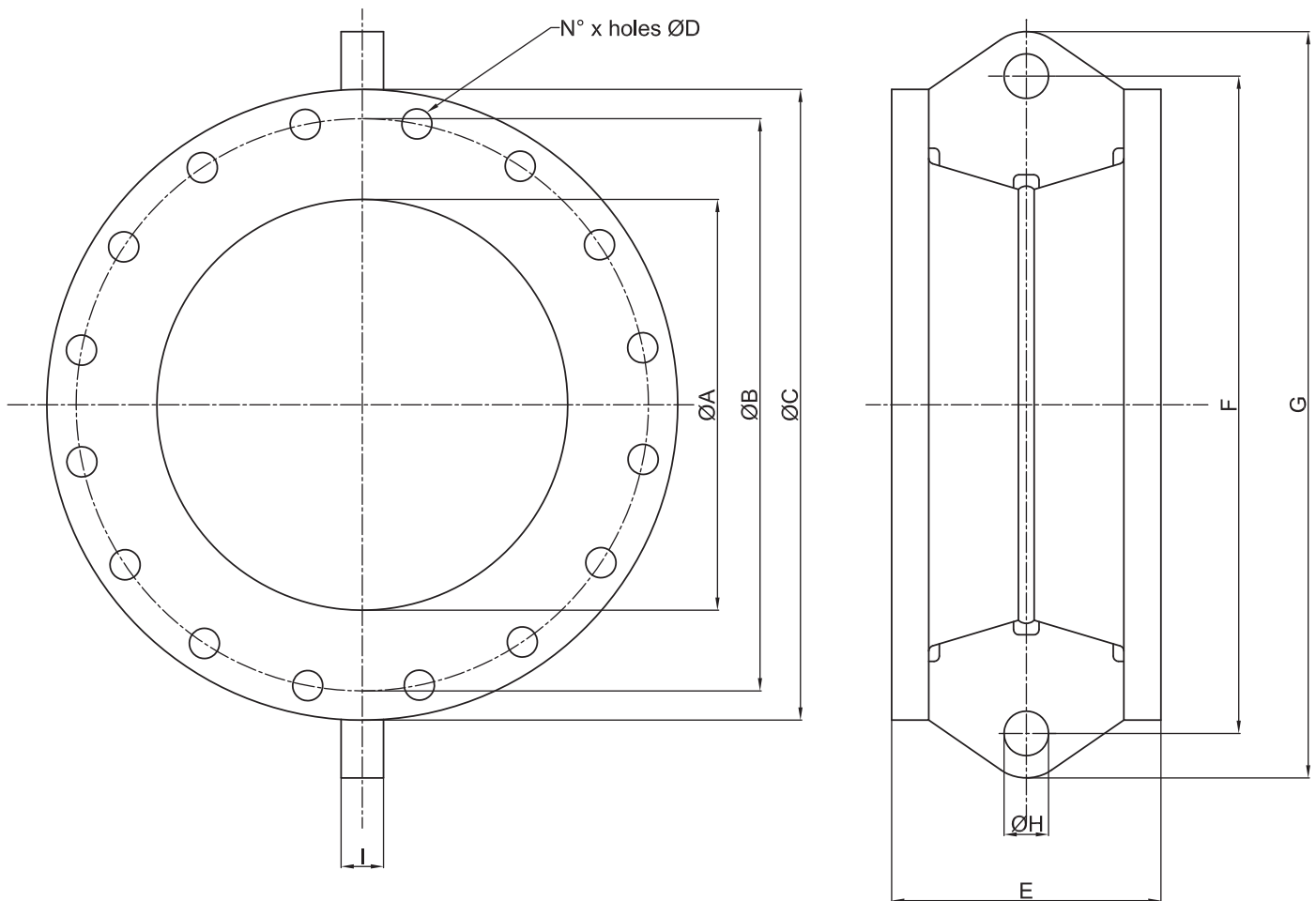
MATERIALS OF CONSTRUCTION

Flanges	CS	ASTM A105
Lifting lugs	CS	ASTM A516 GR 60/70 (or equivalent)

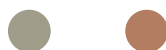
STANDARD NDE AND TESTING

Circumferential welds	: 100% radiographic tested (RT) to BS2600 evaluated per ASME VIII par. Uw-51
Fillet welds	: Magnetic particle inspected (MPI) to ASME VIII app. 6
Pressure test	: Hydrostatic shell test to ASME B31.4
Load testing lifting lugs	: Per customer requirements

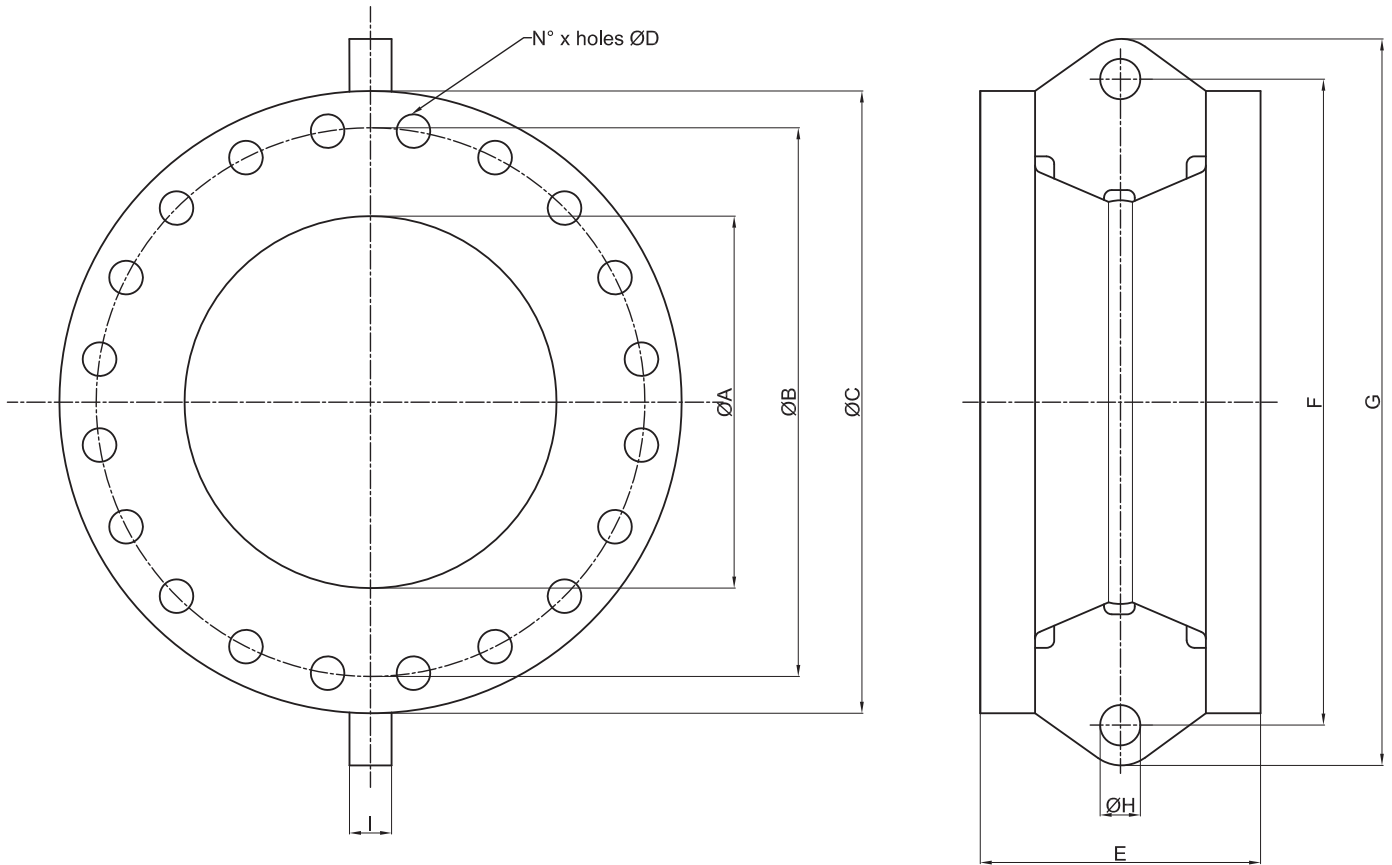
DIMENSIONAL DATA - CLASS 150



SIZE		OVERALL DIMENSIONS							FLANGE DRILLING				WEIGHT	
NPS	DN	$\varnothing A$	$\varnothing C$	E	F	G	$\varnothing H$	l	CLASS	PCD	$\varnothing D$	N° X holes	Kgs	Lbs
Inch	mm	mm	mm	mm	mm	mm	mm	mm		mm	mm			
6	150	154	280	178	304	348	22	25	150#	241	23	8	26	57
8	200	202,5	345	203	360	410	25	28	150#	298	23	8	41	90
10	250	252,5	405	203	420	472	26	32	150#	362	26	12	52	115
12	300	302,6	485	229	500	570	35	38	150#	432	25,5	12	84	185
16	400	387,4	595	254	620	704	42	44	150#	540	29	16	142	313
20	500	482,6	700	289	720	824	52	56	150#	635	32	20	192	423



DIMENSIONAL DATA - CLASS 300



SIZE		OVERALL DIMENSIONS							FLANGE DRILLING				WEIGHT	
NPS	DN	$\varnothing A$	$\varnothing C$	E	F	G	$\varnothing H$	l	CLASS	PCD	$\varnothing D$	N° x holes	Kgs	Lbs
Inch	mm	mm	mm	mm	mm	mm	mm	mm		mm	mm			
6	150	154	313	198	338	382	22	25	300#	270	22	12	38	84
8	200	202,5	381	225	406	456	25	28	300#	330	25	12	60	132
10	250	252,5	444	234	469	521	26	32	300#	387,5	29	16	86	190
12	300	302,6	521	260	546	616	35	38	300#	451	32	16	124	273
16	400	387,4	648	292	673	726	42	44	300#	571,5	35	20	212	467
20	500	482,6	775	324	800	902	52	56	300#	686	35	24	316	697

